

Horizontal 3-Way Union Ball Valve Features

- Thread and socket is optional
- Adopting circular arrow mark, the pointer can indicate valve position accurately
- Plastic valve body has a strong corrosion resistance
- Compact size suits for small equipment

Applications

- Acid, alkali and other corrosive media
- Environmental protection, water supply and drainage, water treatment engineering
- HVAC
- Non-toxic plastic valve can be used in the food industry
- Particularly suitable for ClO₂, O₃ system

Certification: CE, ISO9001, MA, AL

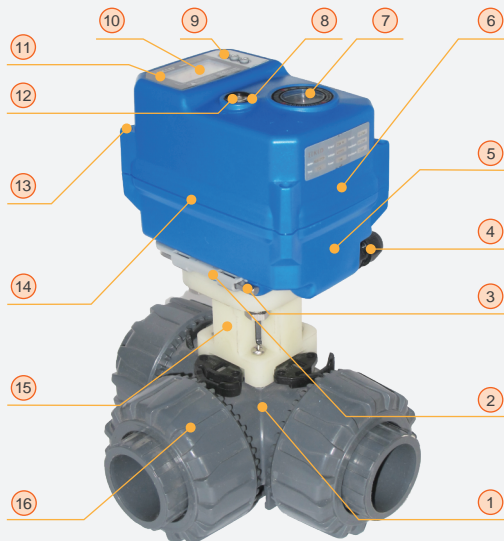


200N normal on/off model



500N normal on/off model

200C Smart Horizontal 3-Way Union Ball Valve Main Components Diagram



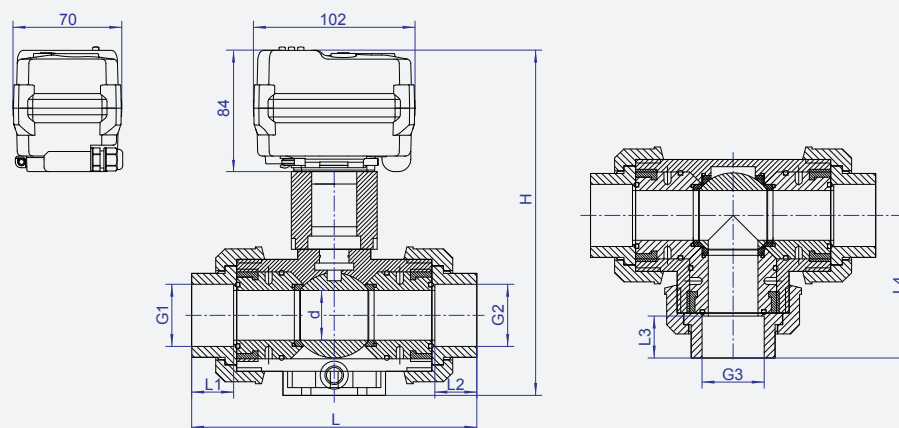
Main Components

No.	Parts	Material	Qty
1	Valve body	UPVC	1
2	Wrench fixed	Heatproof ABS	1
3	Hexagon wrench	Tool steel	1
4	Cable connector	Nylon/Nickel-plated brass	1
5	Bottom cover	Heatproof ABS/Casting aluminum	1
6	Top cover	Heatproof ABS/Casting aluminum	1
7	Indication	Transparent AS	1
8	Oil seal	NBR	1
9	Key 1	Rubber	3
10	Screen 1	OLED	1
11	Label	PVC	1
12	Manual shaft	304	1
13	Screws	304	4
14	Lid seal	SI	1
15	Bracket 2	PA66+33%GF/304	1
16	Union	UPVC	3

1 Normal on/off model no key and 1.3-inch OLED screen.

2 The material of DN15/DN20 bracket is 304. The material of DN25/DN32 bracket is PA66 + 33% GF.

Dimension [200C, DN15-DN32]



Connection Size (unit: mm)

DN	d	L1=L2=L3		G1=G2=G3		L4		L		H	W(Kg)
		Thread	Socket	Thread	Socket	Thread	Socket	Thread	Socket		
DN15	15	15	15.0	G1/2"	20	62.50	58.50	125.0	117.0	171.5	
DN20	20	20	16.3	G3/4"	25	73.00	72.00	146.0	144.0	182.0	
DN25	25	25	19.1	G1"	32	83.00	79.00	166.0	158.0	206.0	
DN32	32	32	21.4	G1-1/4"	40	97.75	91.75	195.5	183.5	224.0	

Thread and socket is optional. Please specify in orders.

500C Smart Horizontal 3-Way Union Ball Valve Main Components Diagram

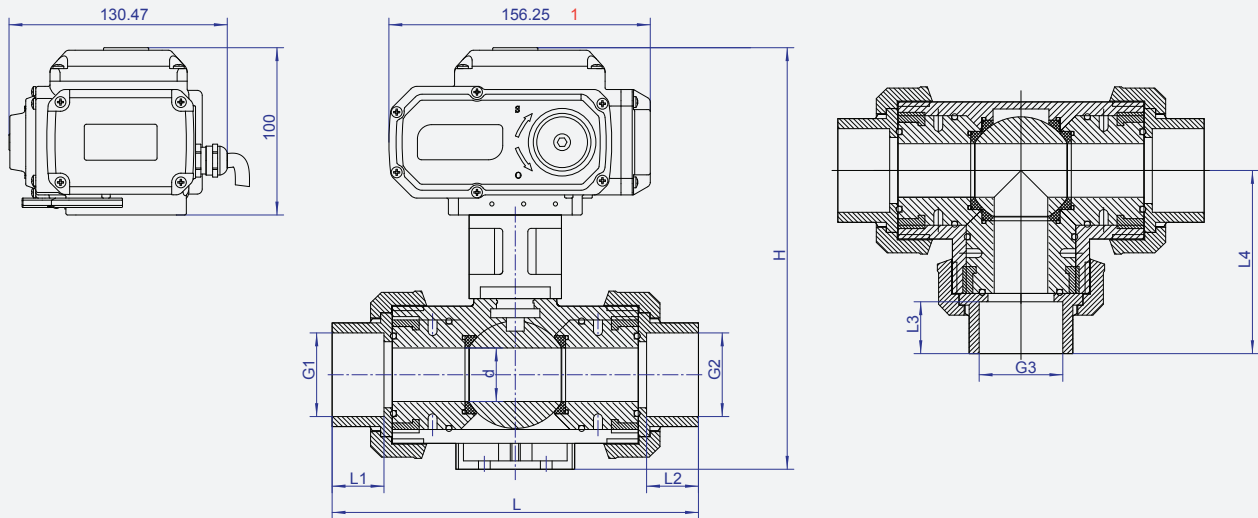


Main Components

No.	Parts	Material	Qty
1	Union	UPVC	3
2	Terminal block	Heatproof ABS	1
3	Label	PVC	1
4	Key	Rubber	3
5	Screen	OLED	1
6	Screws	304	17
7	Indication	Tempered glass	1
8	Actuator	Casting aluminum	1
9	Hexagon Wrench	Tool steel	1
10	Oil seal	NBR	1
11	Manual shaft	304	1
12	Bracket	PA66+33%GF	1
13	Valve body	UPVC	1

Normal on/off model no key and 1.3-inch OLED screen.

Dimension 【500N, DN40/DN50】



Connection Size (unit: mm)

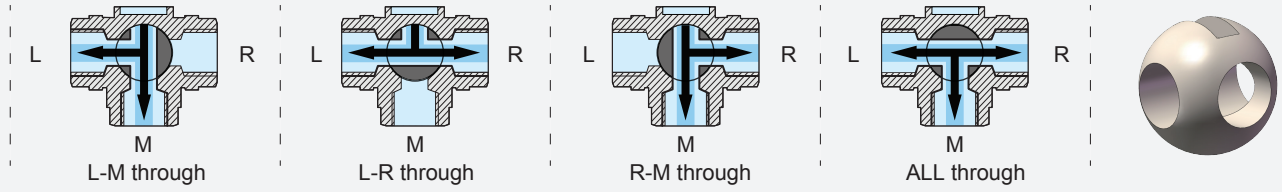
DN	d	L1=L2=L3		G1=G2=G3		L4		L		H	W(Kg)
		Thread	Socket	Thread	Socket	Thread	Socket	Thread	Socket		
DN40	40	40	21.4	G1-1/2"	50	105.50	109.5	211.0	219.0	252.0	
DN50	50	50	25.7	G2"	63	126.75	133.25	253.5	266.5	278.5	

1 The length of 500C actuator is 173.25 mm.

2 Thread and socket is optional. Please specify in orders.

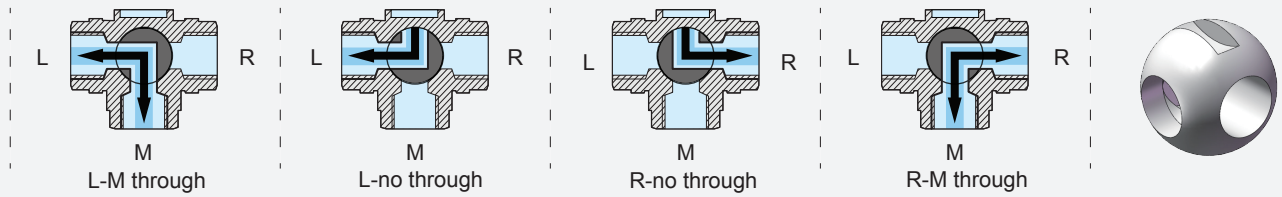
Flow Direction

T port



Note 1 : User can choose two positions from all above mentioned flow patterns, but there might be some mixing if choosing overlapping flow pattern.
 Note 2 : 200C smart model can choose four ways of distribution.

L port




Note 1 : User can choose two positions from all above mentioned flow patterns, but there might be some mixing if choosing overlapping flow pattern.
 Note 2 : 200C smart model can choose four ways of distribution.

Electrical Parameters

Series type	Rated torque @rated voltage	Rated voltage	Available voltage range	Run/static power consumption @rated voltage	Peak current @rated voltage @5ms	External fuse specification	Running time ^{*1} (Per 90°)	Optional control mode
KLD-200N	15N.m	DC24V	DC22V-28V	36W/0.25W	1.5A	3A	10S@Power up 15S@Power down	KT32 or KT32S
		AC110V	AC90V-130V	40W/1.6W	90mA	1A		
		AC230V	AC190-250V	40W/1.6W	90mA	1A		
	20N.m	DC12V	DC10-14V	3.5W/0.3W	1A	2A	10S	B3 BD3 B3S BD3S
		DC24V	DC22V-28V	15W/0.1W	1.2A	2A		
		AC24V	AC18V-26V		0.5A	2A		
AC110V	AC90V-130V	135mA	1A					
KLD-500N	50N.m	DC24V	DC22V-28V	60W/1.5W	2.5A	5A	10S	B3S BD3S
		AC24V	AC22V-28V	50W/1W	3A	5A	20S	
		AC110V	AC90V-130V		1A	2A		
		AC230V	AC190-250V	0.5A	2A			
KLD-1000N	100N.m	DC24V	DC22V-28V	60W/1W	3.5A	5A	10S	B3S BD3S
		AC24V	AC22V-28V	80W/1W	3.5A	5A	30S	
		AC110V	AC90V-130V		1.5A	3A		
		AC230V	AC190-250V	0.6A	2A			
KLD-2000N	200N.m	DC24V	DC22V-28V	180W/1W	4A	10A	10S	B3S BD3S
		AC110V	AC90V-130V	150W/1W	2A	5A	30S	
		AC230V	AC190-250V		1A	5A		
KLD-4000N	400N.m	DC24V	DC22V-28V	240W/1W	5A	10A	10S	B3S BD3S
		AC110V	AC90V-130V	200W/1W	2.5A	5A	30S	
		AC230V	AC190-250V		2A	5A		

* Since the running time is affected by the valve body, it is considered to be qualified within $\pm 3s$.

Function Parameters

The valve ball rotation Angel	90°
Protection grade	IP67 or F Type
Manual function	Standard (Manual override is only permitted to be used when power is cut)
Indicator	

The valve ball rotation Angle of 200C smart model can choose 90°, 180° or 270°.

Working Conditions

Ambient temperature	-20 — 60
Ambient humidity	Relative humidity $\leq 85\%$ ---- Suitable for IP67
	Relative humidity $> 85\%$ ---- Suitable for F Type
Medium temperature	UPVC 0—45
Medium pressure	$\leq 1.0\text{MPa}$